


# RECOM


POLY


235, 240, 245, 250


Amur Leopard



 Temperature Coefficient  
of Pmax  $-0.40\% / ^\circ\text{C}$

 European engineering,  
highest quality standards

 Exceptional aesthetics,  
elegantly beautiful

 Microstructured glass  
& anti-reflective



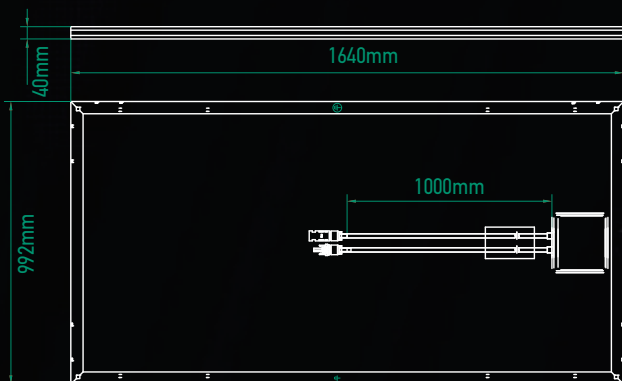
### ELECTRICAL CHARACTERISTICS

Rated Power:	235W	240W	245W	250W
Power Tolerance :	0%/+5W	0%/+5W	0%/+5W	0%/+5W
Maximum Power Voltage (Vmp):	30.00V	30.10V	30.10V	30.20V
Maximum Power Current (Imp):	7.83A	8.05A	8.12A	8.35A
Open Circuit Voltage (Voc):	36.30V	36.90V	37.00V	37.10V
Short Circuit Current (Isc):	8.77A	8.60A	8.77A	8.92A
Module Efficiency	14,5%	14,8%	15,1%	15,4%
Maximum Series fuse:	15A	15A	15A	15A

### MECHANICAL DATA

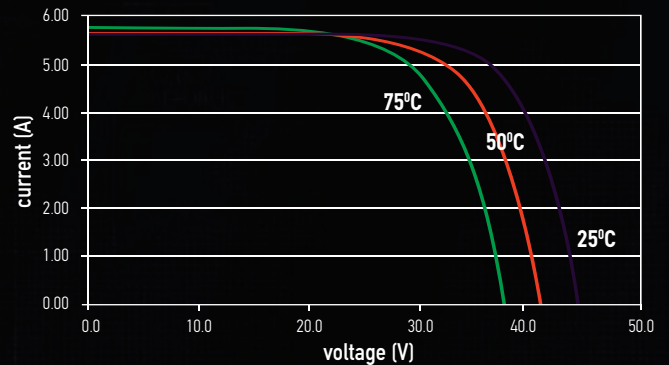
Dimensions	1640mm x 992mm x 40mm
Weight	19 kgs
Front Glass	3.2 mm tempered glass
Output Cables:	TUV (2Pfg1169:2007), UL 4703, UL44 4.0 mm2 (0.006 inches2), symmetrical lengths (-) 1000mm and (+) 1000 mm
Connectors:	MC4 compatible IP67
Temperature:	(- 40 °C to + 85 °C)

### DIMENSIONS



Specifications are subject to change without further notification

### V-I CURVE



### TEMPERATURE CHARACTERISTICS

Pmax Temperature Coefficient	-0.40% / °C
Voc Temperature Coefficient	-0.32% / °C
Isc Temperature Coefficient	+0.08% / °C
Operating Temperature	-40~+85 °C
Nominal Operating Cell Temperature (NOCT)	45 ± 2 °C

### PACKING CONFIGURATION

Container	20'GP	40'GP	40'HC
Pieces per Pallet	22	22	26
Pallets per Container	12	28	28
Pieces per Container	264	616	728

### TESTS, CERTIFICATIONS AND WARRANTIES

Standard tests	UL1703, IEC 61215, IEC 61730
Quality tests	ISO 9001: 2008, ISO 14001: 2004, ISO17025: 2005
Certifications	Class C Fire Rating, conformity to CE, PV CYCLE
Salt mist corrosion	Certified (IEC 61701)
Ammonia corrosion testing	Certified (DIN 50916:1985)
Extreme wind and snow loads testing	Module certified to withstand extreme wind loads (3800 Pascal) and snow loads (5400 Pascal)
Positive tolerance	Guaranteed positive tolerance of up to 5W
Junction Box	IP67 Rated

### Warranties

- 25-year limited power warranty
- 10-year limited product warranty
- 10/25 Linear Power Warranty 25-year transferable power output warranty: 5 years / 95%, 12 years / 90%, 18 years / 85%, 25 years / 80%
- 10-year material and workmanship warranty